

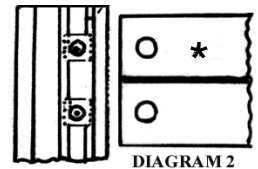
Vertical Garden v1(01)
Assembly Instructions



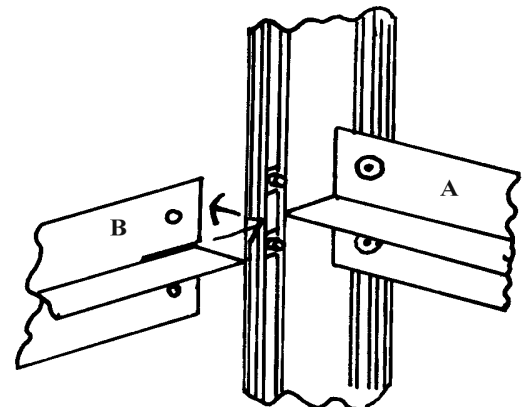
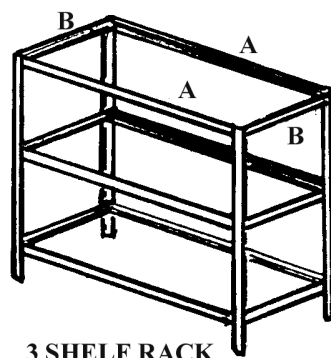
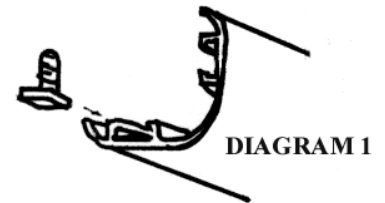
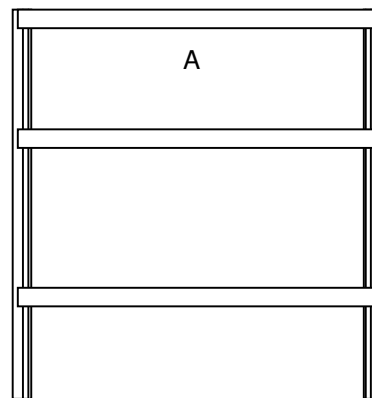
MODEL: _____ **Shelf**

COMPONENTS

Number of Shelves	2	3
Corner Upright 1400mm	4	4
Horizontals - A 996mm	4	6
Horizontals - B 548mm	4	6
8mm Square Bolts	28	44
Trays	2	3



1. Please check the components.
2. Decide at what level you wish to set the shelves. Mark the inside of each upright with these levels so that you know where to attach the horizontals.
3. Take two uprights and horizontals "A" and slide sufficient bolts down each channel (2 per shelf - dia. 1). Line up the horizontals with the marks you have made and slide the bolts to match up with the holes in the horizontals (dia. 2). Locate the horizontals over the bolt stems and fasten them with the nuts.
4. Square up and tighten. This will give you one side section - repeat to make the other.
5. Join the two side sections with the horizontals B - position the slot in bar B over the flat of A, then slide C onto the bolt stems (dia. 3).



6. Check that the trays fit snugly before finally tightening up.