

HOT BENCH E2 (01)
Assembly Instructions

COMPONENTS

Components	Bench Size	20"	40"	60"	80"	100"	120"
	Wattage	50w	100w	150w	200w	250w	300w
Corner Leg L 30"		4	4	4	4	4	4
Mid Leg T 30"		--	2	4	6	8	10
Trays 23" x 20"		2	4	6	8	10	12
Heating Element*		1 x 18"	1 x 38"	1 x 58"	1 x 78"	1 x 96"	1 x 118"
Polystyrene Pads		1	2	3	4	5	6
Black Polythene		1 x 20"	1 x 40"	1 x 60"	1 x 80"	1 x 100"	1 x 120"
Side Rails L 20"		2	4	6	8	10	12
End Rails L 23" **		2	2	2	2	2	2
Nuts & Bolts		40	68	96	124	152	180
Black Edging Strip		14½'	21'	28'	34½'	41'	48'
Aluminium Strip 21"		--	1	2	3	4	5

* Secured to end rail.

** One end rail is secured to the heating element.

IMPORTANT - PLEASE NOTE:

- This appliance is designed to run from the standard UK 240 volt supply.
- Please ensure that the electricity supply in your greenhouse has been installed by a competent electrician.
- If you are at all uncertain about the electrical connection of the Hot Bench please consult a qualified electrician.

1. Check components.
2. Bolt bottom trays to legs (finger tight) - these may be either way up to suit your requirements.
3. Bolt the unattached end rail and all side rails to legs (3rd hole down).
4. Lay the polystyrene pads on end and side rails.
5. Bolt the remaining end rail (secured to heating element) to legs.
6. Carefully position the heating element ON TOP of the polystyrene pads.
7. Lay the black polythene ON TOP of the heating element.
8. Connect the other end of the cable to a 3 pin fused plug (3 amp fuse).

N.B. Yellow/Green Wire = Earth, Brown Wire = Live,
Blue Wire = Neutral

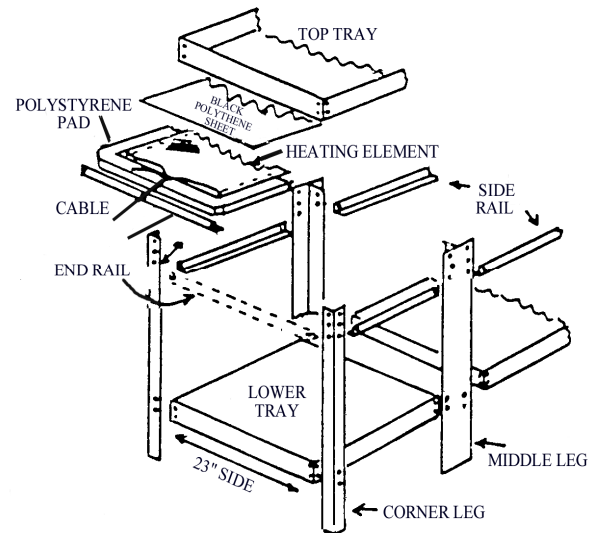
9. Bolt on the top trays (bottom of tray sitting on top of polythene). **N.B.** If you have also purchased a Hot Bench Cover **DO NOT** position the **TOP** bolts and please now read the cover instructions before completing assembly.
10. Square up complete structure and tighten all nuts & bolts.
11. Cut the black edging strip to size and position over external tray edges.
12. Place aluminium strip over the edges of two trays abutting each other (top tier only).

OPERATION

Once switched on your Hot Bench will maintain an even base temperature of about 80°F. The top heated trays can be used purely as a heated surface on which to stand seed trays or you can place water matting or a capillary aggregate (e.g. Perlite) in the trays which will help to maintain a humid environment for healthy plant growth.

Long Term Care of Aluminium Benches & Shelves.

Prolonged contact with chemicals containing metal compounds can cause aluminium to corrode (an electrolytic reaction occurs). Typical of these are Cheshunt Compound and Bordeaux mixture, both of which contain copper. All chemicals should list their contents and most are metal free. When using these metallic chemicals it is best to line any aluminium surface with polythene, if not wash down well after the application. When growing on a capillary bed (sand, gravel or matting) which is not lined with polythene, apply chemicals to plants away from the bed and drain thoroughly before replacing



TWO WESTS & ELLIOTT LTD

4, Carrwood Road, Chesterfield, Derbyshire, S41 9RH. Tel: (01246) 451077