

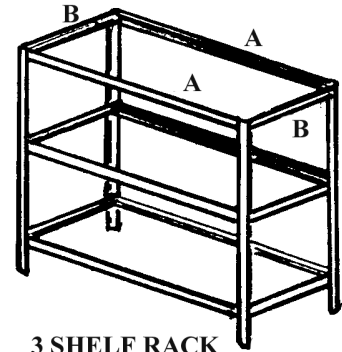
SEED TRAY RACK D2(01)
Assembly Instructions



MODEL: _____ **Shelf**

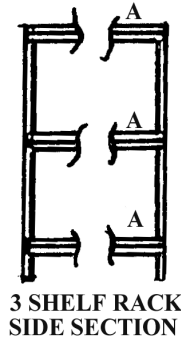
COMPONENTS

Components	Number Of Shelves			
	2	3	4	5
Corner Upright	4 @ 2'	4 @ 3'	4 @ 4'	4 @ 5'
Horizontals - A 39"	4	6	8	10
Horizontals - B 16"	4	6	8	10
Square Nuts & Bolts	32	48	64	80
Seed Trays	8	12	16	20



3 SHELF RACK

1. Please check the components.
2. Decide at what level you wish to set the shelves. Mark * the inside of each upright with these levels so that you know where to attach the horizontals.



3 SHELF RACK
SIDE SECTION

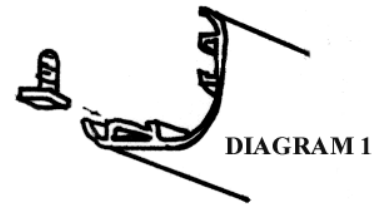


DIAGRAM 1

3. Take two uprights and attach the horizontals A (2, 3, 4 or 5 depending on the height of the rack) - slide sufficient bolts down each channel (2 per shelf - dia. 1); line up the horizontals with the marks you have made; slide the bolts to match up with the holes in the horizontals (dia. 2); locate the horizontals over the bolt stems and fasten them with the nuts; square up and tighten. This will give you one side section - repeat to make the other.

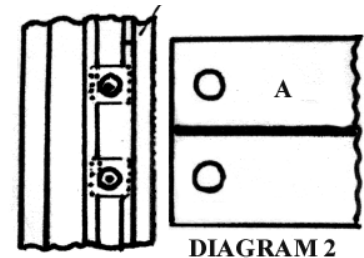


DIAGRAM 2

4. Join the two side sections with the horizontals B - position the slot in bar B over the flat of A, then slide C onto the bolt stems (dia. 3).

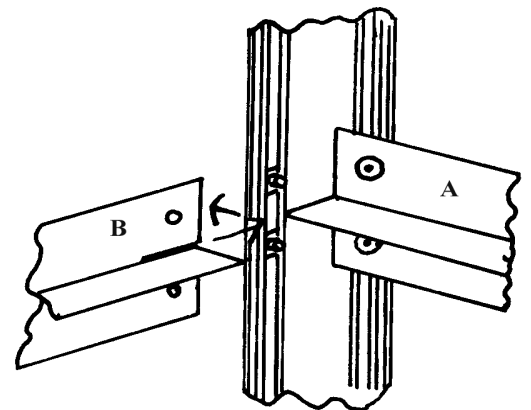


DIAGRAM 3

5. Check that the trays fit snugly before finally tightening up.