

**POTTING TRAY** B7(01)  
**Assembly Instructions**

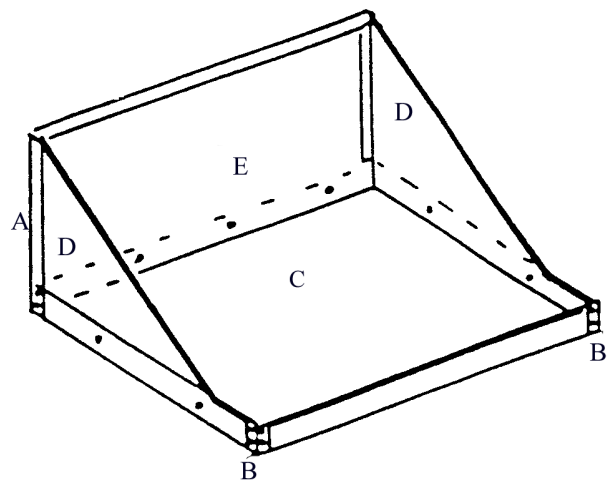


**COMPONENTS**

A	Back Angle Pieces - 9½" Long	2
B	Front Angle Pieces - 2" Long	2
C	Tray (23" x 20" x 2" deep)	1
D	Tray Sides (Triangular)	2
E	Tray Back Panel	1
	Edging Strip (Black)	3
	Nuts & Bolts	23

**PLEASE NOTE:**

All nuts & bolts should be fastened fingertight only - when the unit is complete tighten them all up.



1. Please check the components.
2. Take the tray C - the edge without holes should be positioned to the front.
3. Bolt the angle pieces A & B to the outside of the tray.
4. Position the tray back panel (E) then the tray sides (D) - inside the tray (C) with the sides (D) on the inside of the back panel (E), the "back top" of the side panels (D) should be trapped in the folded edge of the back panel (E).
5. Bolt into position.
6. Put the black edging strip on the front of the tray and along the sloping sides (trim to size).