

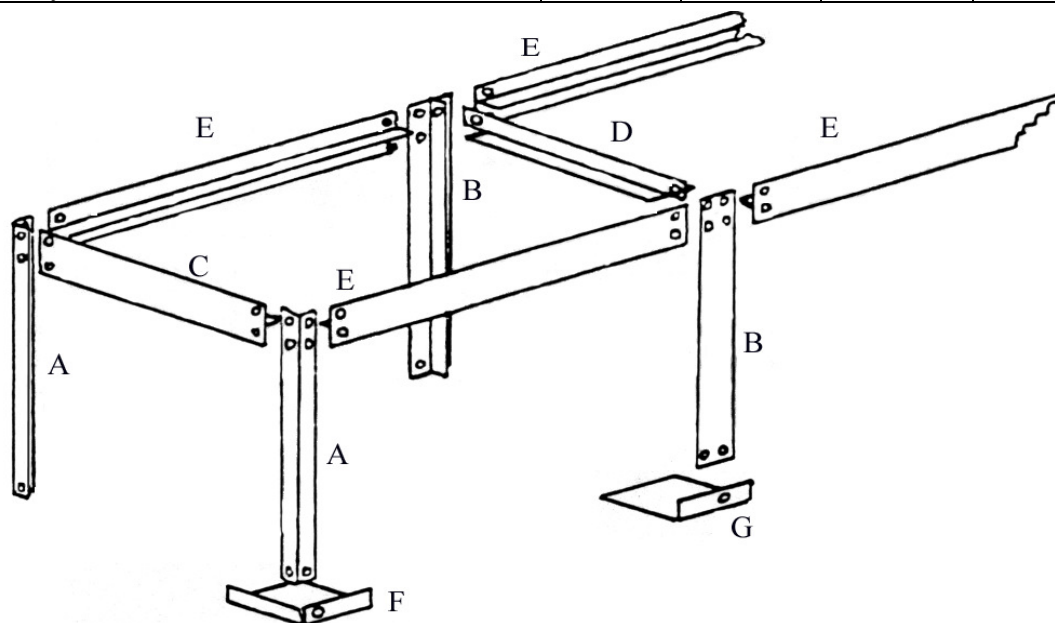
**Compact Staging** B3(10)  
**Assembly Instructions**



**MODEL:** \_\_\_\_\_ **Long** \_\_\_\_\_ **Wide** \_\_\_\_\_

**COMPONENTS**

Components		Length			
		2'6"	5'	7'6"	10'
A	Corner Leg 'L' 21 1/2"	4	4	4	4
B	Mid Leg 'T' 21 1/2"	--	2	4	6
C	End Cross Piece 'T' 10"/15"	2	2	2	2
D	Mid Cross Piece 'T' 10"/15"	--	1	2	3
E	Length Piece 'T' 30"	2	4	6	8
F	Corner Foot Plate	4	4	4	4
G	Mid Foot Plate	--	2	4	6
Nuts & Bolts		20	32	44	56
Tray 30" x 10"/15"		1	2	3	4



1. Please check the components.
2. Assemble the staging as shown in the above diagram (horizontals to the inside of the legs), building up multiples to the required length.
3. Rest the trays in position - these are reversible so can be used either as trays or as a flat working surface

**Long Term Care of Aluminium Benches & Shelves.**

Prolonged contact with chemicals containing metal compounds can cause aluminium to corrode (an electrolytic reaction occurs). Typical of these are Cheshunt Compound and Bordeaux mixture both of which contain copper. All chemicals should list their contents and most are metal free. When using these metallic chemicals it is best to line any aluminium surface with polythene, if not wash down well after the application. When growing on a capillary bed (sand, gravel or matting) which is not lined with polythene, apply chemicals to plants away from the bed and drain thoroughly before replacing.