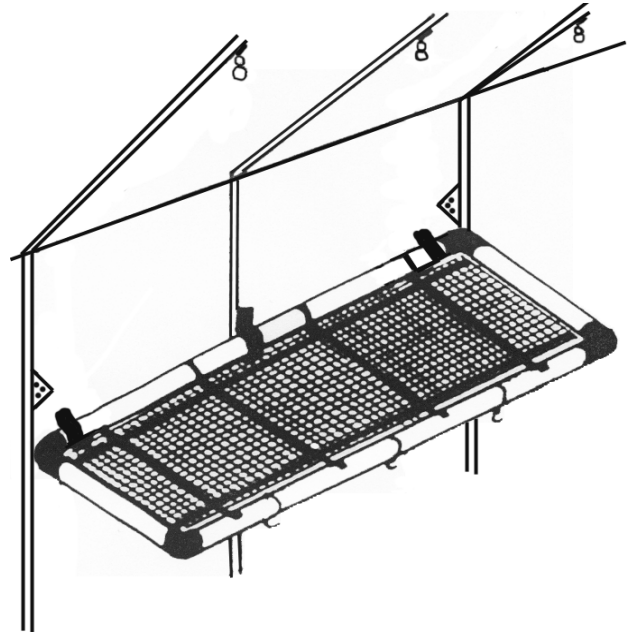


INTEGRAL SHELF A5(01)
Assembly Instructions



COMPONENTS

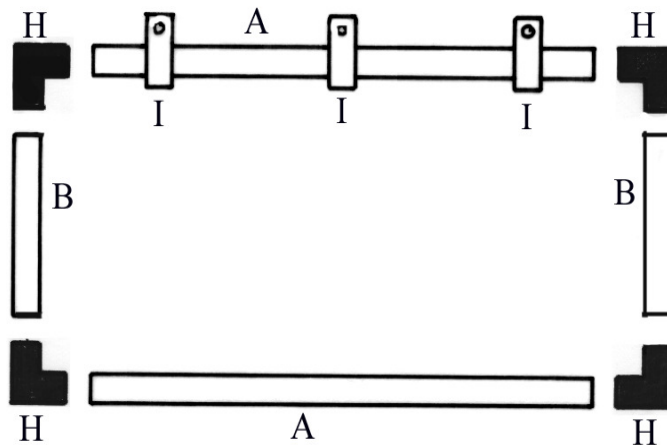
Code	Description	Qty
A	Tube 1190mm	2
B	Tube 217mm	2
C	Flat Bar 1170mm	2
D	Flat Bar 281mm	4
E	Flat Bar 44mm	8
F	Flat Bar 44mm (Folded)	6
G	Mesh 1190mm x 203mm	1
H	Plastic Corner joint	4
I	Hinge Cleat (With Nut, Bolt, Washer)	3
J	Chain 460mm	3
K	'S' Hooks Large	3
L	'S' Hooks Small	3
M	Hinge Fixing Plate	2
	Cropped Bolts and Nuts	10
	Slotted Bolts and Nuts	8



1. Please check the components.
2. Assemble Tubular Framework as shown below in figure 1 with the 'S' Hooks slid onto the front tube 'A'.

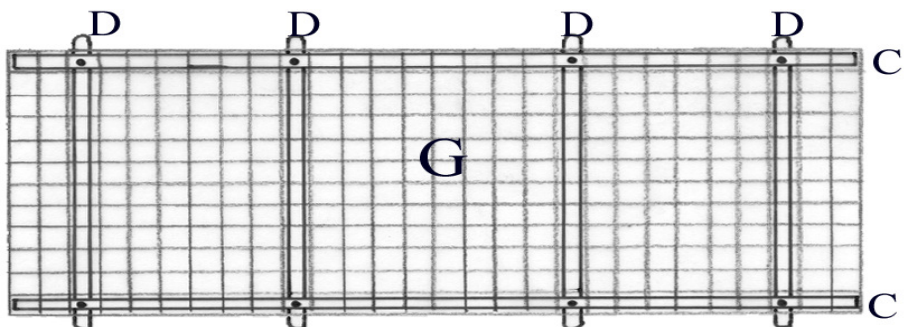
FIGURE 1

NOTE: Please remember to fit the S hook to part 'A' prior to assembling.



MESH ASSEMBLY

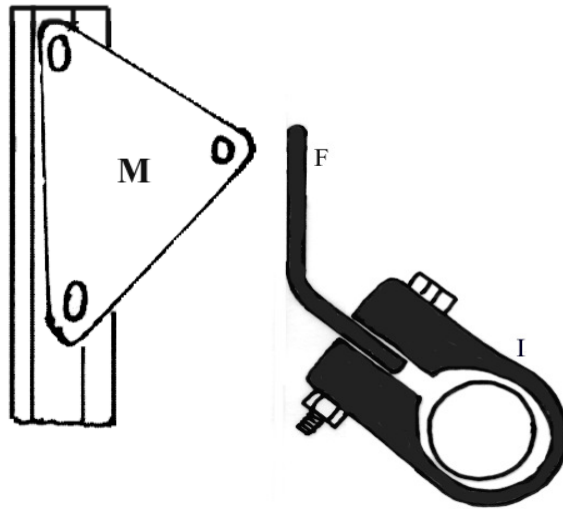
3. Lay the mesh on a flat surface with the shortest wires on the bottom.
4. Lay the longest lengths of the bar along the top two outer sections of the Mesh. This will give you the positions of the four cross bars.



5. Place the cross bar under the mesh with the fold facing upwards.



6. Align holes, together with 4mm fixing brackets and fasten finger tight only. The mesh assembly sits inside the tubular frame.
7. Turn the underside fixing brackets so they sit to the underside of the tube and tighten the bolts fully.



GLAZING BAR

8. Using the cropped bolts and nuts fix the triangular fixing plates to the greenhouse bars at the desired height. The two outer hinge cleats then bolt onto the remaining holes in the fixing plates.
9. Bolt the remaining three fixing supports to the Greenhouse roof bars above the Shelf.
10. Insert the small hooks into the supports.
11. Cut the chain to the required length and fasten between the hooks.